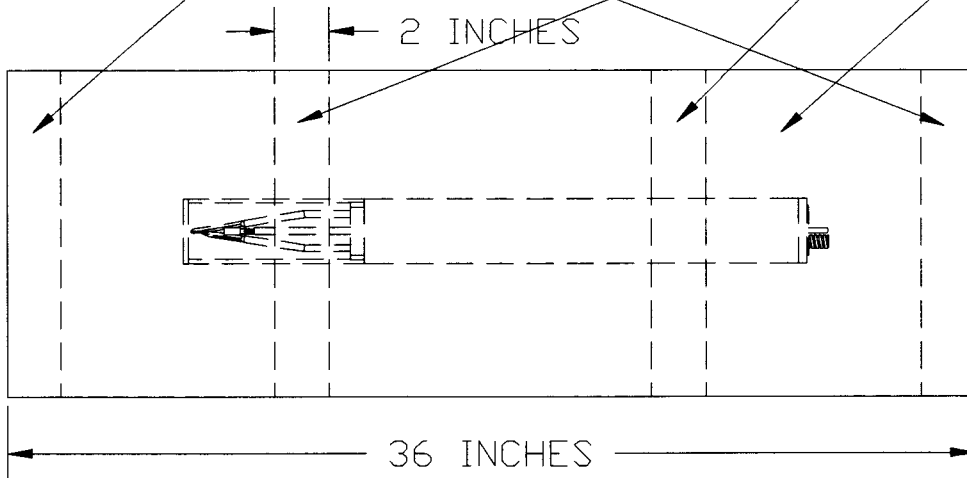
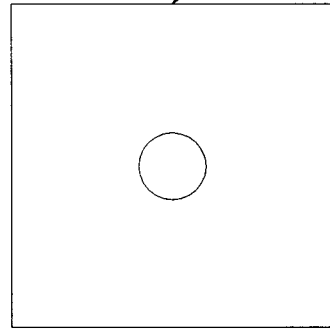
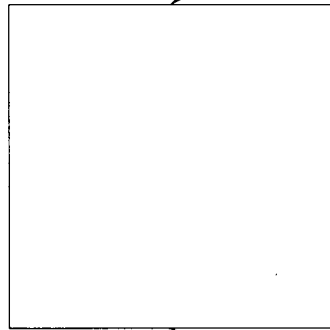
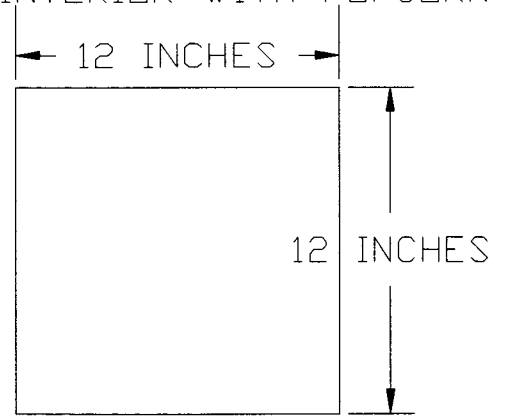


REVISIONS		
REV	DESCRIPTION	DATE

2" SOFT FOAM



FILL ALL INTERIOR WITH POPCORN



TOLERANCES (unless otherwise noted)
 .x
 .xx
 .xxx

PRECISION MEASUREMENT ENGINEERING
 1827 HAWK VIEW DRIVE
 ENCINITAS, CA 92024

SCAMP SHIPPING BOX
 5076

DATE 2-MAR-97 SHEET 1 OF 1