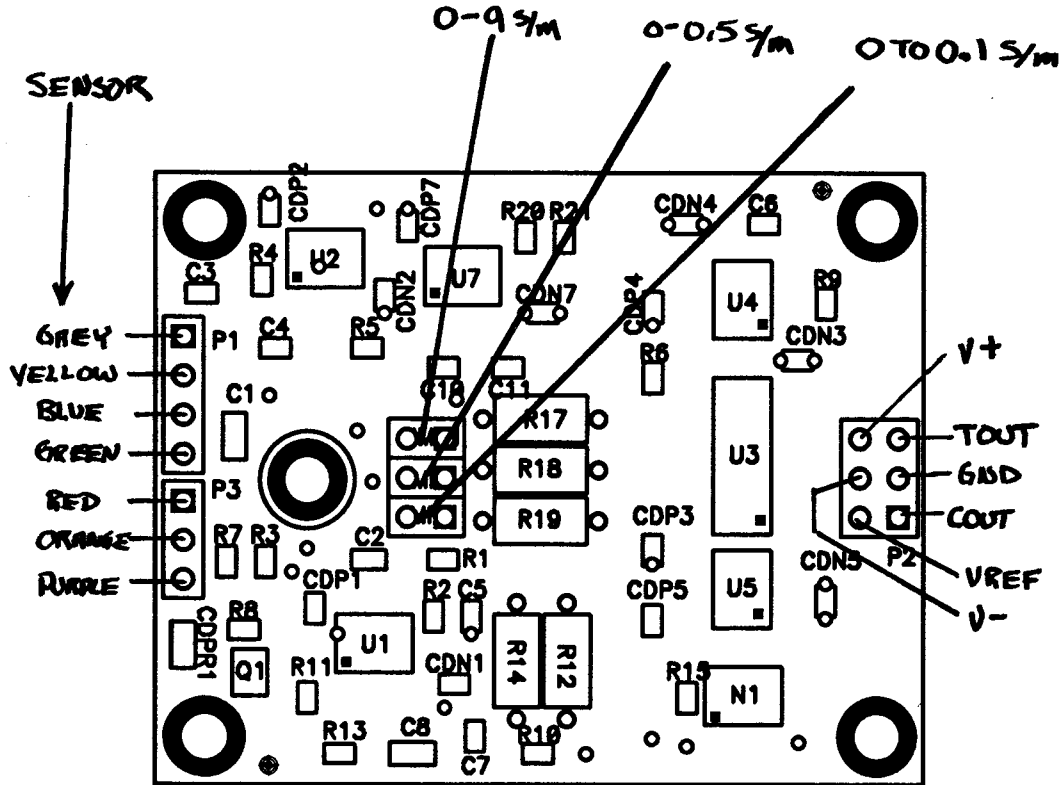
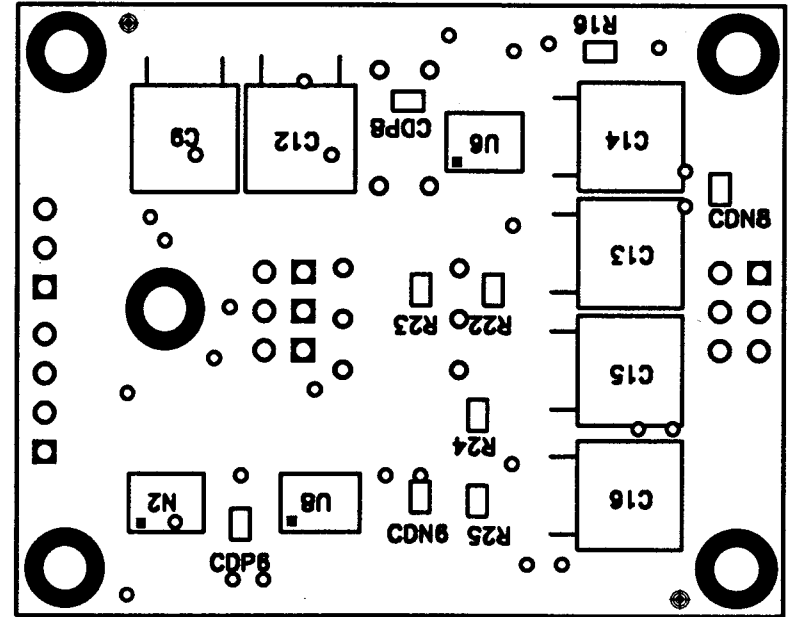


5132

CONDUCTIVITY
&
TEMPERATURE



TOP



BOTTOM